

Features

- Stability: ± 100 PPB over -40°C to +85°C
- Phase Noise:
- 100 Hz offset: better than -125 dBc/Hz
- 1 KHz offset: better than -153 dBc/Hz
- 10KHz offset: better than -163 dBc/Hz
- 5V supply (220 mA turn-on ; 50 mA idle at 25C)
- 45 seconds warm-up typical
- 20.5 mm x 15.1 mm x 10.0 mm DIP

Picture of Part



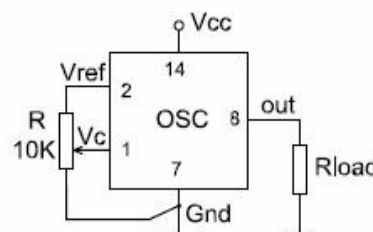
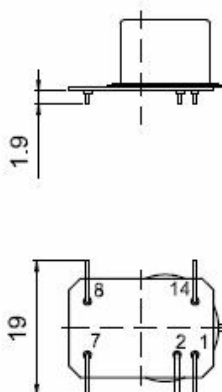
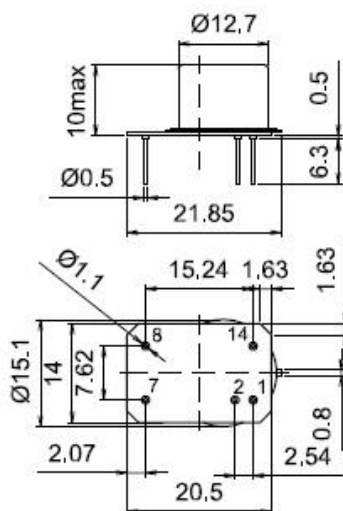
Typical Applications

- Synthesizer Reference GPS
- Timing Modules Microwave
- Communications

Description

The OPT OX-1201-100MHz-A device at 100 MHz operating frequency offers wide temperature operation from -40C to 85C with outstanding frequency stability and low phase noise performance all with very fast warm-up and less than 0.25W power dissipation at 25C.

Mechanical Drawing and PIN Connections



Pin	Signal
1	Electrical tuning
2	Reference voltage
7	GND
8	RF Out
14	+V Supply