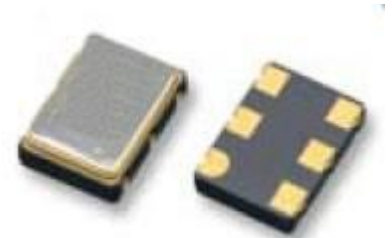


Features

- Frequency: 40 to 200 MHz
- +/- 25 or +/- 50 ppm from -40C to +85C
- LVDS ; Differential Outputs
- 2.5V or 3.3V options ; 27 mA max.
- Enable / Disable Function
- 0.3 ps phase jitter typical (12KHz to 20MHz)

Picture



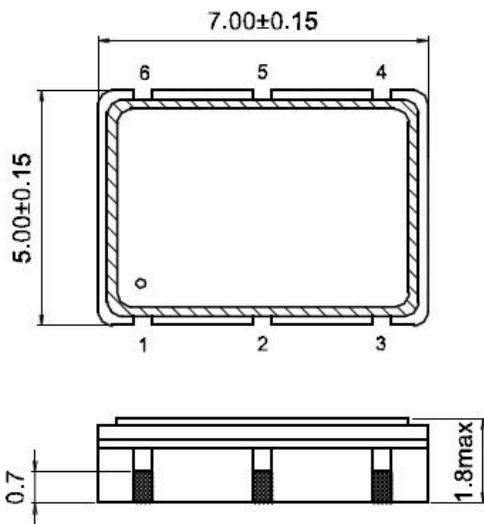
Applications

- WLAN / WiMAX / WiFi
- SONET / SDH / ATM
- 10 Gigabit Ethernet / Fiber Channel

Description

The OPT XO-7500-G2 design platform offers ultra low jitter LVDS differential outputs for demanding data communications protocols requiring very low bit error rates.

Outline Drawing



Pad1	Tri-state	Pad4	LVDS Output
Pad2	No Connection	Pad5	LVDS Output
Pad3	Ground	Pad6	Supply Voltage

Rounded pad is pad No.1

